

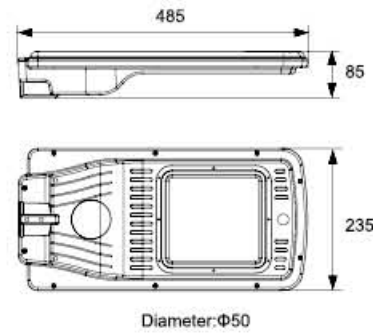


NSSL2005-003A

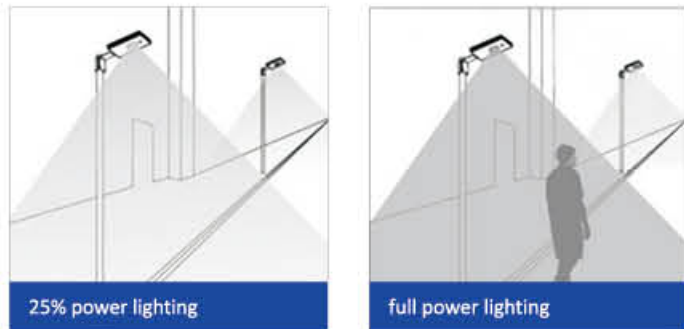
- A higher light efficiency
- The light is stronger
- Energy conservation better



Product Size



Work Mode



when nobody around the light, it works at 25% power.
when people passed by, the motion sensor detects it and the light will be full power lighting



Product Parameters

Model	Power	Solar Panels	Luminous Flux	Colour Temperature	IP	Life	Lighting Time Every Day	Control
NSSL2005-003A	20W	10W	2400LM-3200LM	5000K~7000K	IP65	50000H	8-12H	Infrared Induction

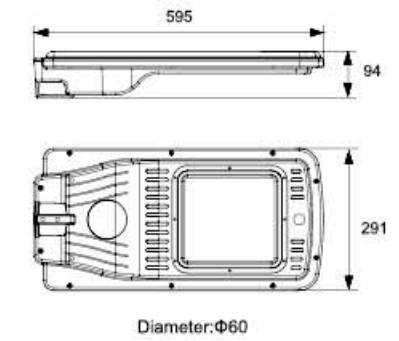


NSSL2005-003B

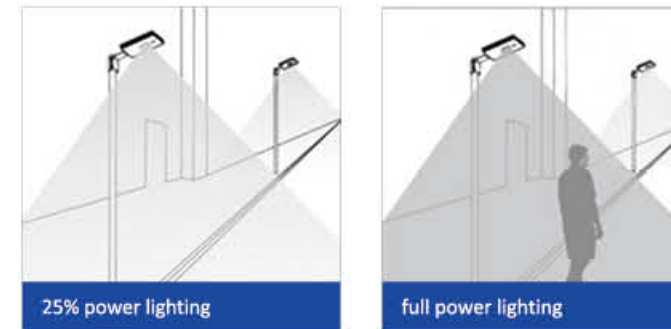
- A higher light efficiency
- The light is stronger
- Energy conservation better



Product Size



Work Mode



when nobody around the light, it works at 25% power.
when people passed by, the motion sensor detects it and the light will be full power lighting



Product Parameters

Model	Power	Solar Panels	Luminous Flux	Colour Temperature	IP	Life	Lighting Time Every Day	Control
NSSL2005-003B	40W	20W	4800LM-6400LM	5000K~7000K	IP65	50000H	8-12H	Radar Induction



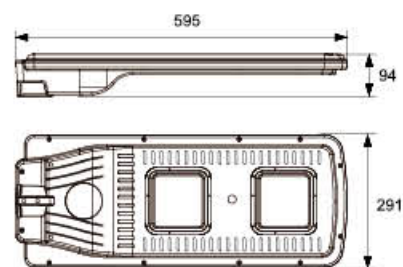


NSSL2005-003C

- A higher light efficiency
- The light is stronger
- Energy conservation better



Product Size



Diameter:Φ60



Work Mode



25% power lighting



full power lighting

when nobody around the light, it works at 25% power.
when people passed by, the motion sensor detects it and the light will be full power lighting



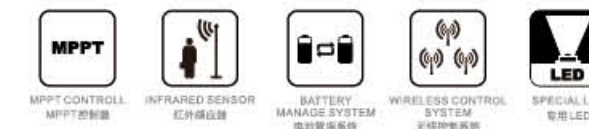
Product Parameters

Model	Power	Solar Panels	Luminous Flux	Colour Temperature	IP	Life	Lighting Time Every Day	Control
NSSL2005-003C	40W	20W	4800LM-6400LM	3000K~6000K	IP65	50000H	8-12H	Infrared Induction
NSSL2005-003C	50W	20W	6000LM-8000LM	3000K~6000K	IP65	50000H	8-12H	Rader Induction

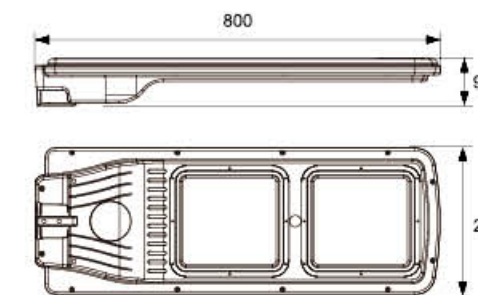


NSSL2005-003D

- A higher light efficiency
- The light is stronger
- Energy conservation better



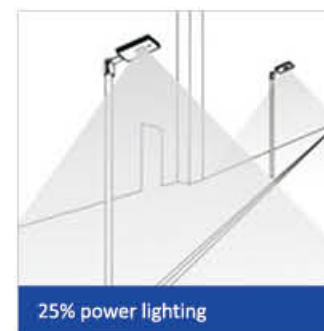
Product Size



Diameter:Φ60



Work Mode



25% power lighting



full power lighting

when nobody around the light, it works at 25% power.
when people passed by, the motion sensor detects it and the light will be full power lighting



Product Parameters

Model	Power	Solar Panels	Luminous Flux	Colour Temperature	IP	Life	Lighting Time Every Day	Control
NSSL2005-003D	80W	30W	9600LM-12800LM	5000K~7000K	IP65	50000H	8-12H	Radar Induction



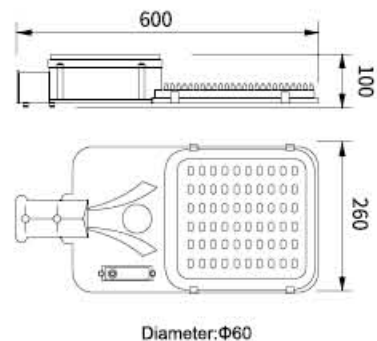


NSSL2005-004A

- A higher light efficiency
- The light is stronger
- Energy conservation better



Product Size



Work Mode



when nobody around the light, it works at 25% power.
when people passed by, the motion sensor detects it
and the light will be full power lighting

Product Parameters

Model	Power	Solar Panels	Luminous Flux	Colour Temperature	IP	Life	Lighting Time Every Day	Control
NSSL2005-004A	20W-100W	70W	2400LM-12000LM	3000K~6000K	IP65	50000H	8H	Infrared Induction



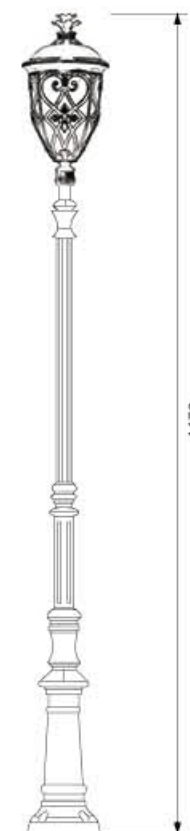
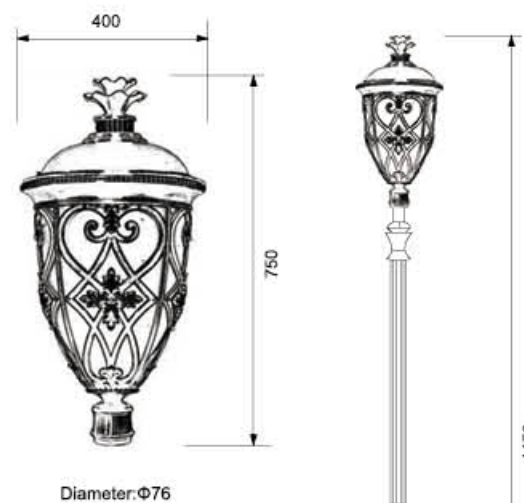
NSTY-001

- A higher light efficiency
- The light is stronger
- Energy conservation better



Product Parameters

Model: NSTY-001
Power: 20W-50W
Luminous Flux: 2400LM-6000LM
Colour Temperature: 5000K~7000K
IP: IP65
Life: 50000H





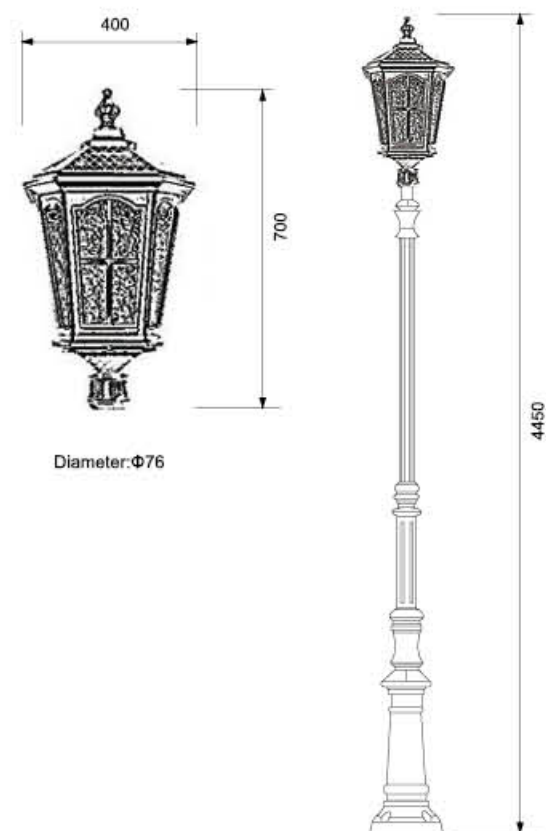
NSTY-002

- A higher light efficiency
- The light is stronger
- Energy conservation better



Product Parameters

Model: NSTY-002
Power: 20W-50W
Luminous Flux: 2400LM-6000LM
Colour Temperature: 5000K~7000K
IP: IP65
Life: 50000H



NSTY-003

- A higher light efficiency
- The light is stronger
- Energy conservation better



Product Parameters

Model: NSTY-003
Power: 20W-50W
Luminous Flux: 2400LM-6000LM
Colour Temperature: 5000K~7000K
IP: IP65
Life: 50000H

